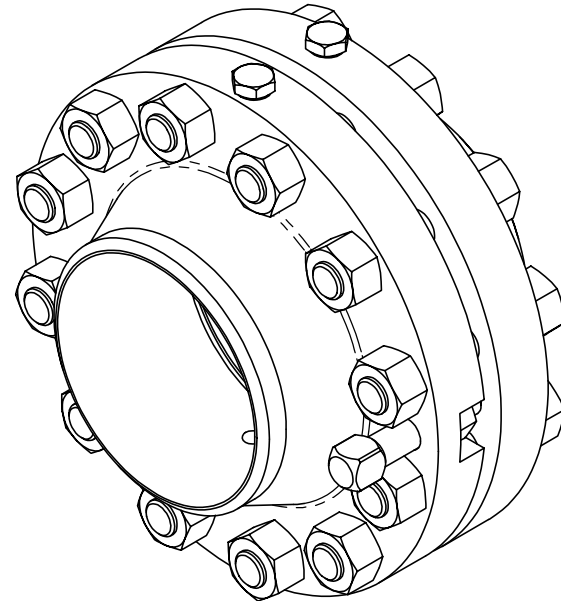


REVISIONS				
REV	DESCRIPTION	CHG.NO.	APP'D	DATE
AA	NEW RELEASE	EC004733	DRV	1/16/04

NOTES:

- ROSEMOUNT INC. CERTIFIES THIS DRAWING IS IN ACCORDANCE WITH ROSEMOUNT ENGINEERING SPECIFICATIONS AND ACCURATELY REPRESENTS THE EQUIPMENT FURNISHED.
- ORIFICE FLANGE UNIONS MEET THE REQUIREMENTS OR ANSI B16.36.
- FOR MODEL SELECTIONS, MATERIALS, AND OPTIONS, REFER TO ROSEMOUNT PRODUCT DATA SHEET 00813-0100-4792.
- MODEL 1496 MAXIMUM TEMPERATURE IS 850°F. MAXIMUM OPERATING TEMPERATURE MAY BE REDUCED DEPENDING ON MATERIAL AND GASKET SELECTIONS. REFER TO ROSEMOUNT PRODUCT DATA SHEET 00813-0100-4792 FOR DETAILS.
- MODEL 1496 INCLUDES FLANGE UNIONS, STUDS, NUTS, GASKETS, JACK SCREWS, AND PLUGS (PLUGS ARE NOT SUPPLIED WITH SOCKET TAP FLANGES).
- OVERALL LENGTHS IN TABLES 1 & 3 ARE CALCULATED BASED ON A 1/8" THICK ORIFICE PLATE (ORDERED SEPERATELY) AND 1/16" THICK FLANGE GASKETS (INCLUDED). ACTUAL LENGTHS MAY VARY DEPENDING ON ACTUAL PLATE THICKNESS AND GASKETS USED.
- STANDARD GASKET IS 1/16" THICK NON-ASBESTOS TYPE. FOR SERVICE RATINGS OF ANSI 600# AND OVER, 1/8" THICK SPIRAL WOUND GASKETS ARE SUPPLIED AS STANDARD.



*UNLESS OTHERWISE SPECIFIED DIMENSIONS IN INCHES (MM)		TYPE I		ROSEMOUNT® BOULDER, COLORADO	
*ALL DIMENSIONS ARE NOMINAL AND ARE FOR REFERENCE ONLY		DR.	DMK	12/15/03	TITLE
		APPROVAL			DIMENSIONAL DRAWING FOR MODEL 1496 ORIFICE FLANGE UNION
		DRAWING	K. GREEN	12/19/04	SIZE
		TAGGING			DRAWING NO. 01496-1001
		SPECIALS			SCALE: NONE
					SHEET 1 OF 10



TABLE 1

LINE SIZE	OVERALL LENGTH										
	1496WN					1496RJ				1496SO	1496TH
	300#	600#	900#	1500#	2500#	600#	900#	1500#	2500#	300#	300#
2"	7.00	7.00	8.75	8.75	10.75	7.69	9.06	9.06	11.06	1.94	1.94
2-1/2"	7.25	7.25	9.00	9.00	12.00	7.94	9.31	9.31	12.44	2.00	2.00
3"	7.25	7.25	8.75	10.00	14.00	7.94	9.06	10.31	14.44	2.06	2.06
4"	7.50	8.75	9.75	10.50	15.75	8.06	10.06	10.81	16.31	2.12	2.12
6"	8.13	10.00	11.75	14.25	22.25	9.19	12.06	14.63	22.94	2.12	2.12
8"	9.00	11.25	13.50	17.50	25.75	10.31	13.81	18.06	26.56	2.44	2.44
10"	9.50	12.75	15.25	20.75	33.75	10.81	15.56	21.31	34.88	2.62	
12"	10.50	13.00	16.50	23.00	37.25	11.81	16.81	23.81	38.50	2.88	
14"	11.50	13.75	17.50	24.25		12.81	18.06	25.25		3.00	
16"	11.75	14.75	17.75	25.25		13.19	18.44	26.50		3.25	
18"	12.75	15.25	18.75	26.50		14.19	19.56	27.75		3.50	
20"	13.00	15.75	20.25	28.75		14.50	21.06	30.13		3.75	
24"	13.50	16.75	23.75	32.75		15.19	24.88	34.31		4.19	

TABLE 2

LINE SIZE	FLANGE OUTSIDE DIAMETER				
	300#	600#	900#	1500#	2500#
2"	6.50	6.50	8.50	8.50	9.25
2-1/2"	7.50	7.50	9.62	9.62	10.50
3"	8.25	8.25	9.50	10.50	12.00
4"	10.00	10.75	11.50	12.25	14.00
6"	12.50	14.00	15.00	15.50	19.00
8"	15.00	16.50	18.50	19.00	21.75
10"	17.50	20.00	21.50	23.00	26.50
12"	20.50	22.00	24.00	26.50	30.00
14"	23.00	23.75	25.25	29.50	
16"	25.50	27.00	27.75	32.50	
18"	28.00	29.25	31.00	36.00	
20"	30.50	32.00	33.75	38.75	
24"	36.00	37.00	41.00	46.00	

TABLE 3

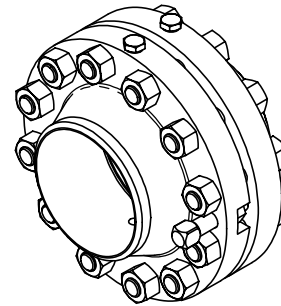
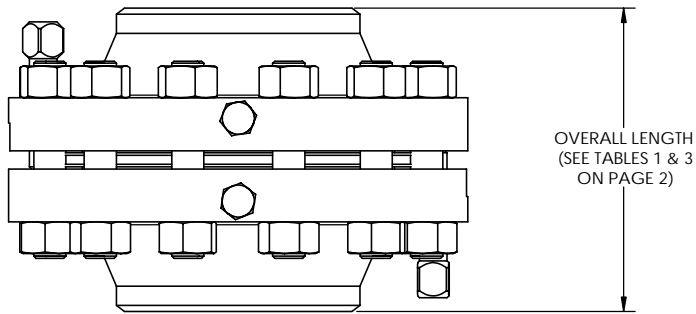
LINE SIZE	OVERALL LENGTH (DIN FLANGES)											
	1496DN											
	PN10		PN16		PN25		PN40		PN64		PN100	
	IN	MM	IN	MM	IN	MM	IN	MM	IN	MM	IN	MM
DN50	5.24	133	5.24	133	5.31	135	5.31	135	5.94	151	6.26	159
DN65	5.24	133	5.24	133	5.47	139	5.47	139	6.42	163	6.73	171
DN80	5.47	139	5.47	139	5.79	147	5.79	147	6.57	167	6.73	171
DN100	5.63	143	5.63	143	6.34	161	6.34	161	6.89	175	7.52	191
DN150	5.71	145	5.71	145	6.81	173	6.81	173	7.91	201	9.49	241
DN200	6.10	155	6.10	155	7.05	179	7.36	187	9.09	231	10.67	271
DN250	6.42	163	6.57	167	7.52	191	8.50	216	10.28	261	12.80	325
DN300	6.42	163	7.05	179	7.68	195	9.29	236	11.46	291	13.82	351
DN350	6.42	163	7.20	183	8.11	206	10.08	256	12.24	311	15.31	389
DN400	6.73	171	7.28	185	8.90	226	10.87	276	13.03	331		
DN500	6.81	173	7.52	191	10.08	256	11.26	286				

TABLE 4

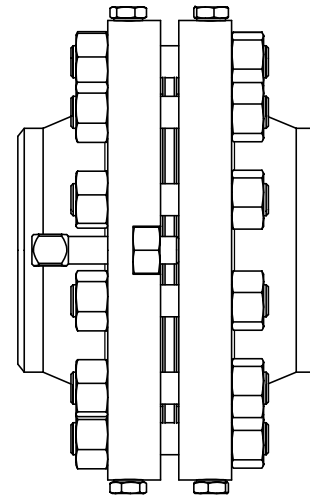
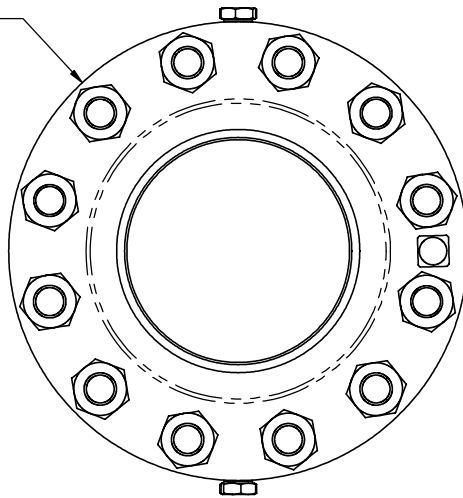
LINE SIZE	FLANGE DIAMETER (DIN FLANGES)											
	1496DN											
	PN10		PN16		PN25		PN40		PN64		PN100	
	IN	MM	IN	MM	IN	MM	IN	MM	IN	MM	IN	MM
DN50	6.50	165	6.50	165	6.50	165	6.50	165	7.09	180	7.68	195
DN65	7.28	185	7.28	185	7.28	185	7.28	185	8.07	205	8.66	220
DN80	7.87	200	7.87	200	7.87	200	7.87	200	8.46	215	9.06	230
DN100	8.66	220	8.66	220	9.25	235	9.25	235	9.84	250	11.22	285
DN150	11.22	285	11.22	285	11.81	300	11.81	300	13.58	345	13.98	355
DN200	13.39	340	13.39	340	14.17	360	14.76	375	16.34	415	16.93	430
DN250	15.55	395	15.94	405	16.73	425	17.72	450	18.50	470	19.88	505
DN300	17.52	445	18.11	460	19.09	485	20.28	515	20.87	530	23.03	585
DN350	19.88	505	20.47	520	21.85	555	22.83	580	23.62	600	25.79	655
DN400	23.03	585	22.83	580	24.41	620	25.98	660	26.38	670		
DN500	26.38	670	28.15	715	28.74	730	29.72	755				

ROSEMOUNT®
BOULDER, COLORADO

SIZE A	FSCM.NO.	DRAWING NO. 01496-1001
SCALE: NONE WT.		SHEET 2 OF 10

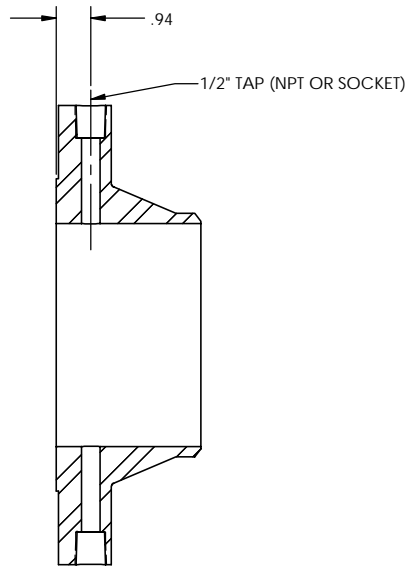
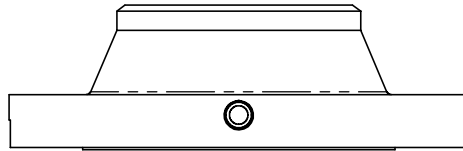


OD
(SEE TABLES 2 & 4
ON PAGE 2)

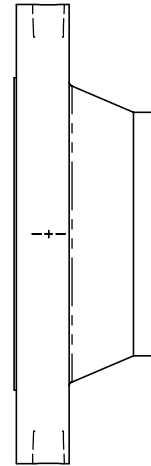
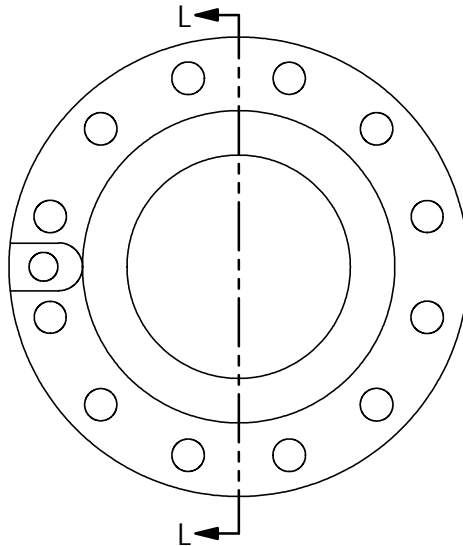


ORIFICE FLANGE UNION ASSEMBLY

ROSEMOUNT®		
BOULDER, COLORADO		
SIZE A	FSCM.NO.	DRAWING NO. 01496-1001
SCALE: NONE WT.		SHEET 3 OF 10

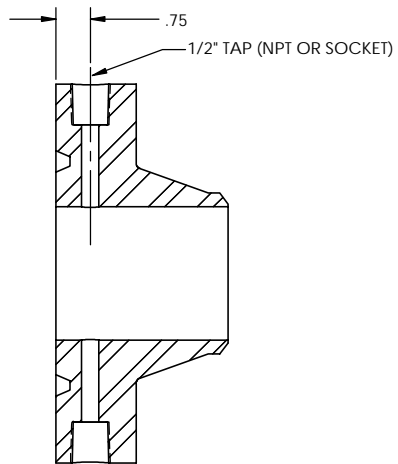
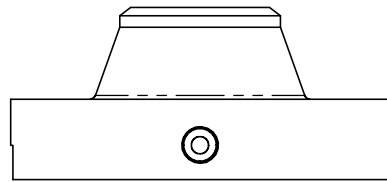


SECTION L-L

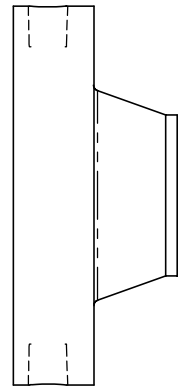
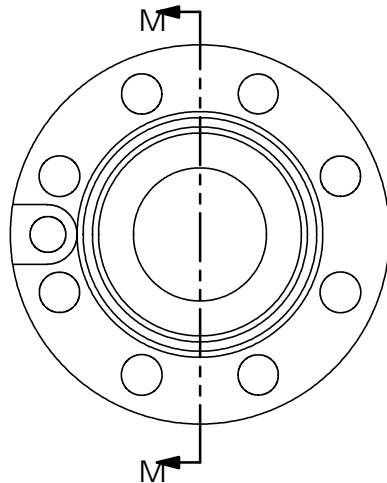


***ORIFICE FLANGE UNION,
RAISED FACE, WELD NECK***

ROSEMOUNT®		
<small>BOULDER, COLORADO</small>		
<small>SIZE</small> A	<small>FSCM.NO.</small>	<small>DRAWING NO.</small> 01496-1001
<small>SCALE: NONE WT.</small>		<small>SHEET 4 OF 10</small>



SECTION M-M



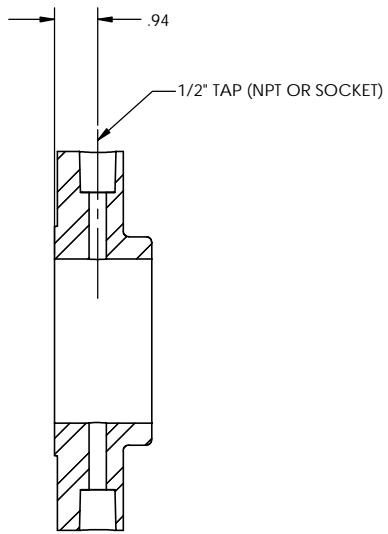
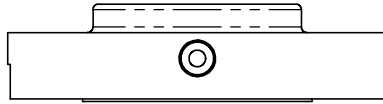
**ORIFICE FLANGE UNION,
RING JOINT, WELD NECK**

ROSEMOUNT®

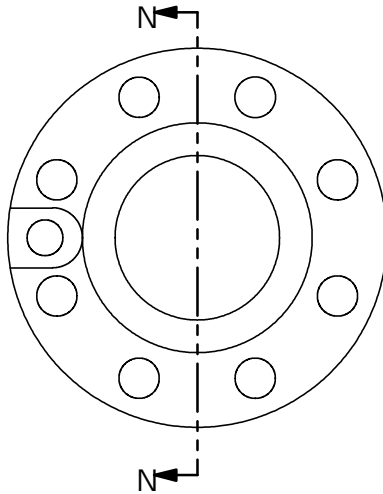
BOULDER, COLORADO

SIZE A	FSCM.NO.	DRAWING NO. 01496-1001
-----------	----------	----------------------------------

SCALE: NONE WT.	SHEET 5 OF 10
-------------------	---------------



SECTION N-N



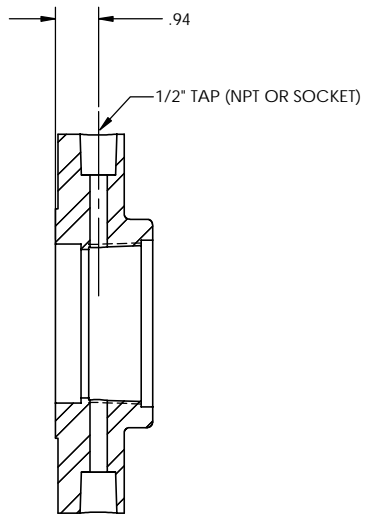
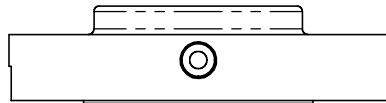
***ORIFICE FLANGE UNION,
RAISED FACE, SLIP-ON***

ROSEMOUNT®

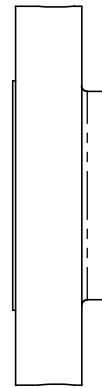
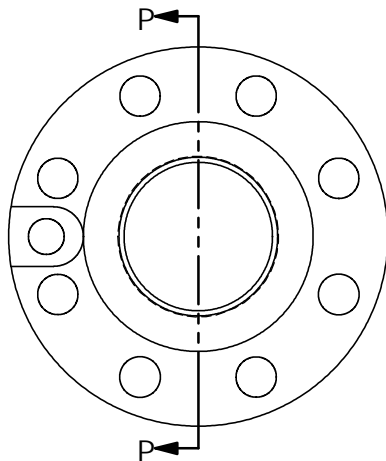
BOULDER, COLORADO

SIZE A	FSCM.NO.	DRAWING NO. 01496-1001
-----------	----------	---------------------------

SCALE: NONE WT.	SHEET 6 OF 10
-------------------	---------------

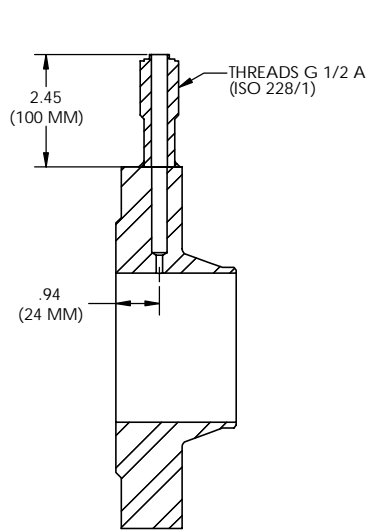
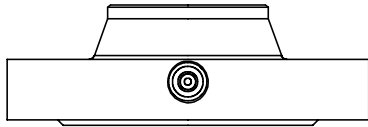


SECTION P-P

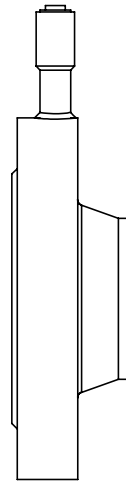
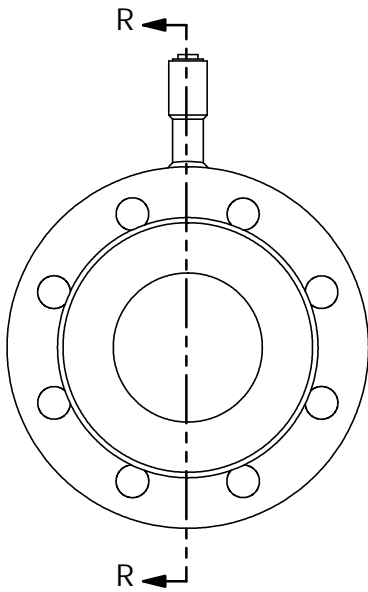


***ORIFICE FLANGE UNION,
RAISED FACE, THREADED***

ROSEMOUNT®		
BOULDER, COLORADO		
SIZE A	FSCM.NO.	DRAWING NO. 01496-1001
SCALE: NONE WT.		SHEET 7 OF 10



SECTION R-R



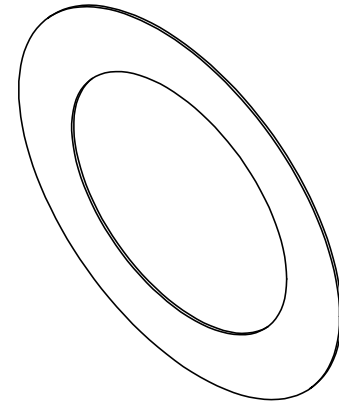
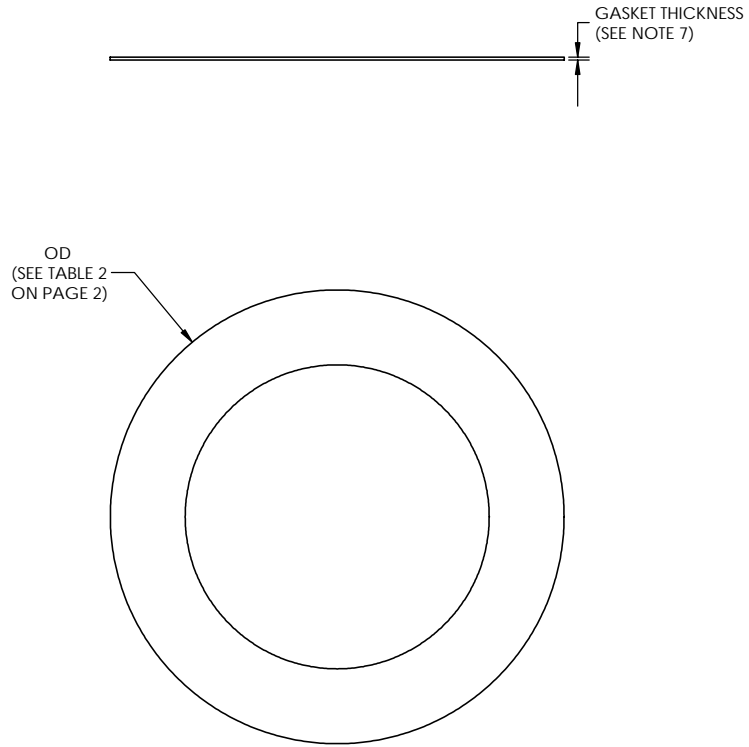
ORIFICE FLANGE UNION
RAISED FACE, WLEDNECK
DIN 19214 PART 1

ROSEMOUNT®

BOULDER, COLORADO

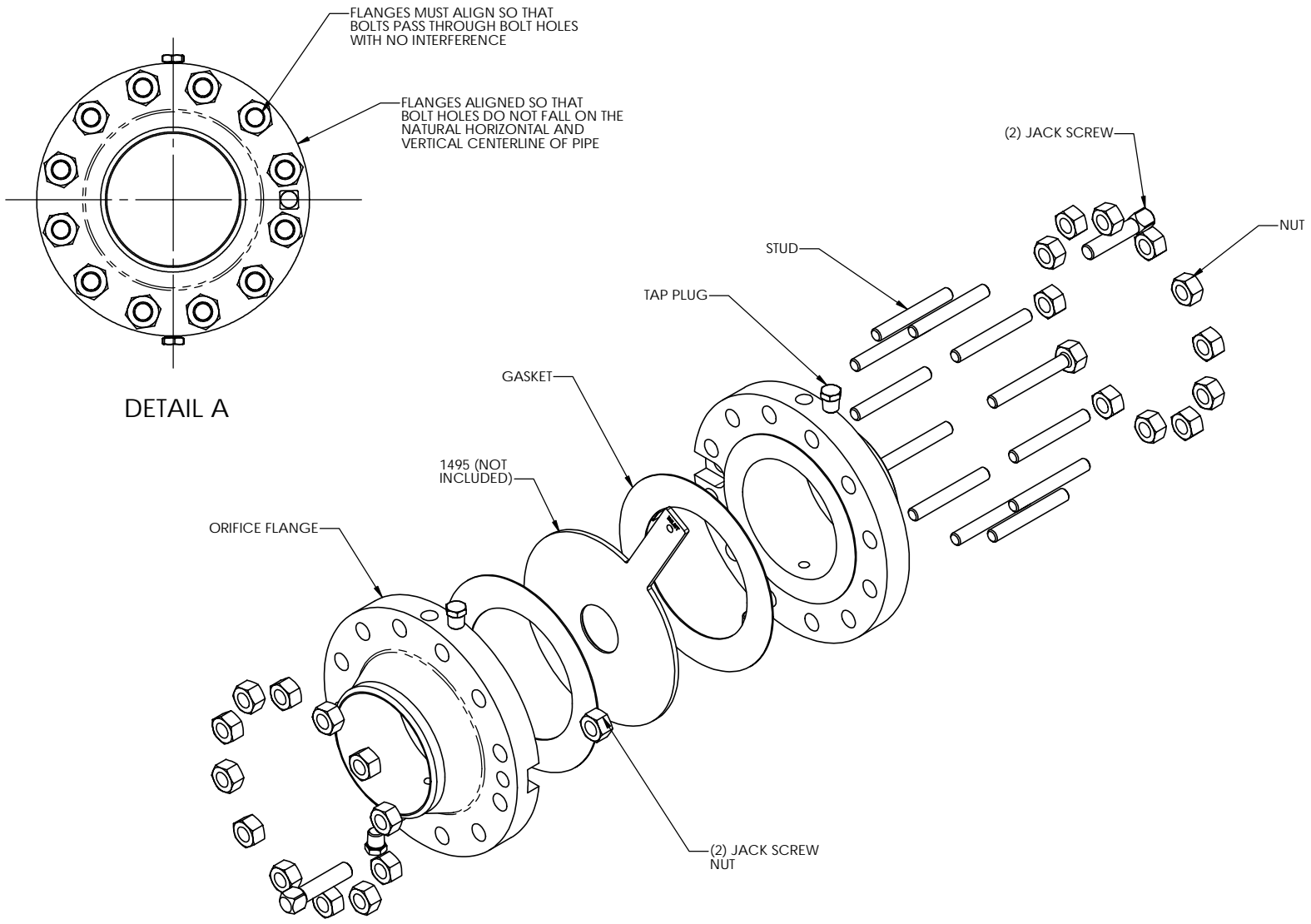
SIZE A	FSCM.NO.	DRAWING NO. 01496-1001
-----------	----------	---------------------------

SCALE: NONE WT.	SHEET 8 OF 10
-------------------	---------------



GASKET

ROSEMOUNT®		
BOULDER, COLORADO		
SIZE A	FSCM.NO.	DRAWING NO. 01496-1001
SCALE: NONE WT.		SHEET 9 OF 10



EXPLODED INSTALLATION VIEW

ROSEMOUNT®		
BOULDER, COLORADO		
SIZE A	FSCM.NO.	DRAWING NO. 01496-1001
SCALE: NONE WT.		SHEET 10 OF 10